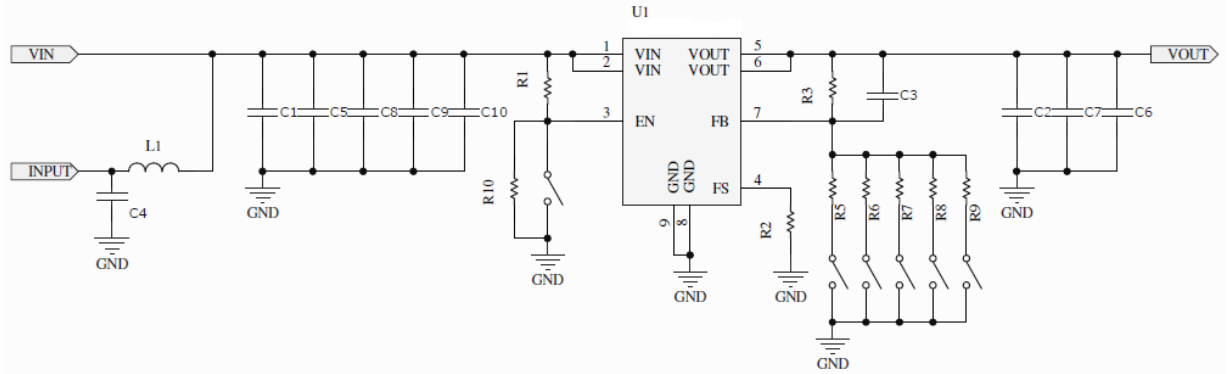
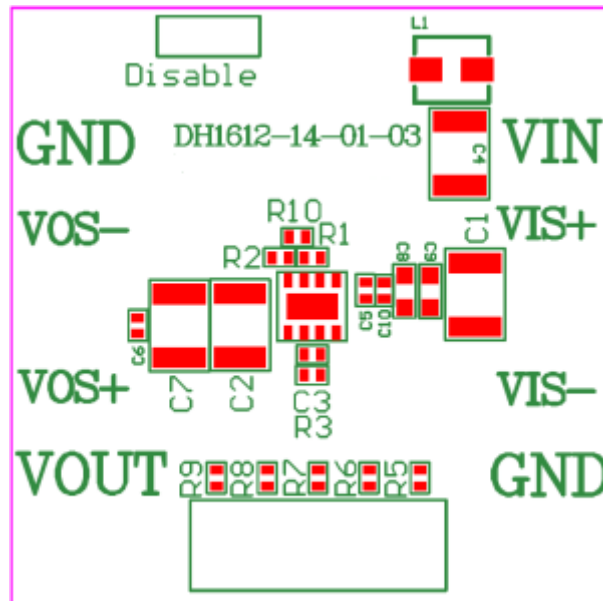


## EVALUATION BOARD SCHEMATIC:



## TEST POINTS INFORMATION:



## PROGRAMMING OUTPUT VOLTAGE:

$$V_{OUT} (V) = 0.6 \times \left( 1 + \frac{100k}{R_{FB}} \right) \quad (EQ.1)$$

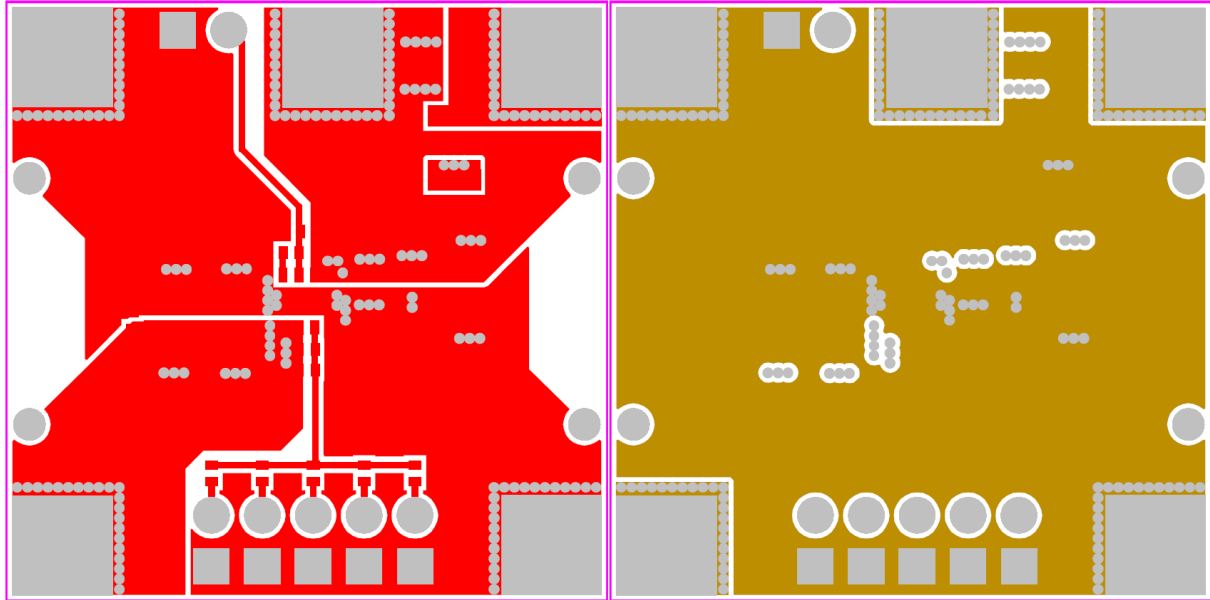
Vout (V)	2.0	2.5	3.3	5.0	6.0
R <sub>FB</sub>	42.86KΩ	31.58KΩ	22.22KΩ	13.64KΩ	11.11KΩ

**TABLE 1: OUTPUT VOLTAGE SETTING BY CALCULATION**

## BOM LIST:

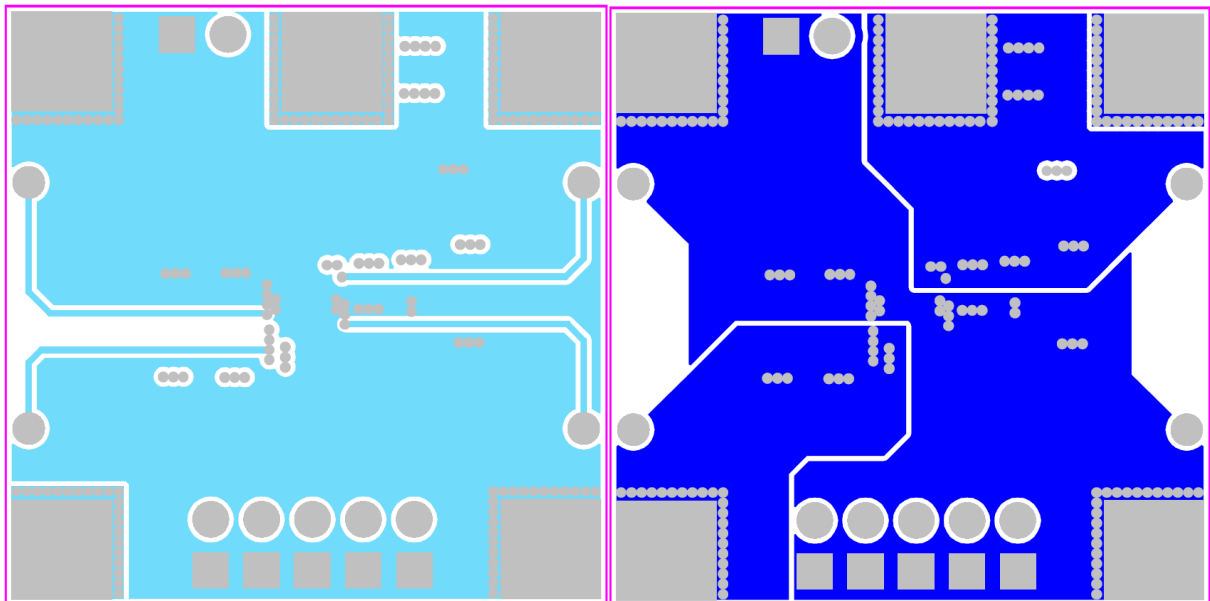
Designator	Function	Description
C1	Input Cap	MLCC / 10uF / 50V / X7R / 1210
C2	Output Cap	MLCC / 22uF / 16V / X7R / 1210
C3	Compensation Cap	MLCC / 100pF / 50V / NPO / 0402
C4	EMI filter	MLCC / 10uF / 50V / X7R / 1210
C5	EMI filter	MLCC / 100pF / 50V / X7R / 0402
C6	Output Cap	MLCC / 0.1uF / 50V / X7R / 0402
C7	Output Cap	MLCC / 22uF / 16V / X7R / 1210
C8	EMI filter	MLCC / 0.01uF / 50V / X7R / 0603
C9	EMI filter	MLCC / 0.1uF / 50V / X7R / 0603
C10	EMI filter	MLCC / 1nF / 50V / X7R / 0402
R1	ENH	100k ohm / 0402
R2	RFS	-
R3	RFBH	100k ohm / 0402
R5	RFBL	43k ohm / 0402
R6	RFBL	31.6k ohm / 0402
R7	RFBL	22.1K ohm / 0402
R8	RFBL	13.7K ohm / 0402
R9	RFBL	11K ohm / 0402
R10	ENL	-
L1	EMI filter	SDEM25201B-2R2MS
U1	Module	MUN24AD01-SH

## PRINTED CIRCUIT BOARD LAYOUT:



Top Layer

Mid 1 Layer



Mid 2 Layer

Bottom Layer



## MUN24AD01-SH EVB GUIDE

---

### REVISION HISTORY:

<b>Date</b>	<b>Revision</b>	<b>Changes</b>
2018.12.29	00	Issue initial preliminary EVB guide.
2019.03.21	01	Correct to RFBL from RFSL of BOM list